

CITY OF EDMONTON
 LANDSCAPING REQUIREMENTS
 (PER DWELLING):
 1 DECIDUOUS TREE
 1 CONIFEROUS TREE
 4 SHRUBS

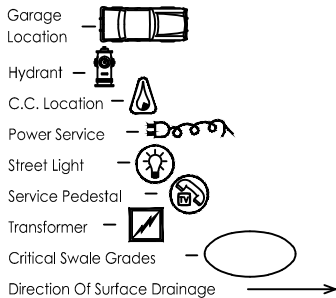
LOWEST BOTTOM
 OF FOOTING 77.95

LOWEST OPENING
 ELEVATION AT THE
 BUILDING 80.40

WING WALLS & OR
 RETAINING STRUCTURES
 MAY BE REQUIRED FOR
 DRAINAGE PURPOSES

THIS PLAN IS TO BE USED AS A GUIDE ONLY. ALL MINIMUM SIDEYARD DISTANCES MUST BE VERIFIED BY STANTEC GEOMATICS.

DRAINAGE TYPE – STANDARD SPLIT WALKOUT BASEMENT



House Type _____

Finished Floor _____

Bottom Footing _____

Finished Grade Front _____

Finished Grade Back _____

Bottom Back Door Sill _____

Bottom Bsm't Window _____

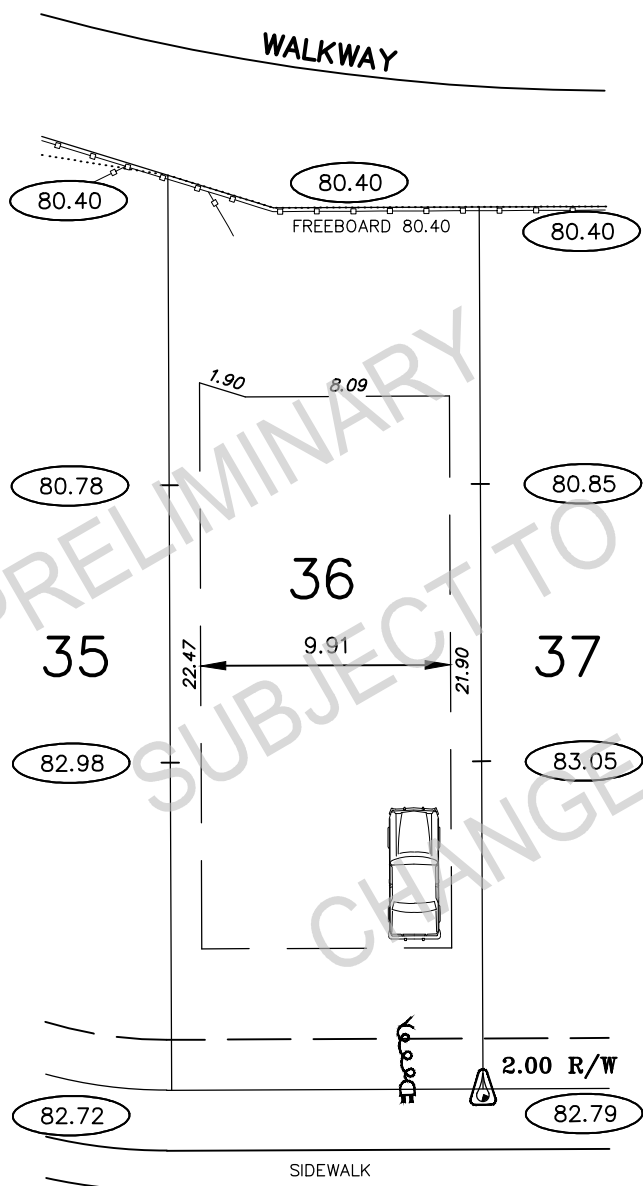
Top Conc. Bsm't Wall _____

Finished Garage Floor _____

Sanitary Sewer Invert 79.27

JOIST _____ CONC.WALL _____ FOOTING _____

SCALE 1 : 300 RSL



FRONT
 LOT AREA = 434.98m²

Foundation Wall Height: ' "

*It is the responsibility of the builder to contact the soils consultant to determine if there are any special considerations pertaining to house foundation construction.
 *The elevation of this house has been designed so that it will be in conformance with the lot grading plan.
 *This plan is subject to the approval of the local approving authority and the agent responsible for the architectural control guidelines.
 *Stantec Geomatics will accept no responsibility for any costs incurred due to an error or omission on this plan if construction starts prior to the subject approvals.
 *All dimensions and services shown must be confirmed by contractor prior to excavation.
 *All distances shown are in metres and decimals thereof.



Stantec Geomatics Ltd.
 10160-112th Street NW
 Edmonton, Alberta, Canada
 T5K 2L6
 Tel. 780-917-7000
 Fax. 780-917-7289
 www.stantec.com

Legal Description
LOT 36 BLOCK 5 PLAN UN-REG.
 KESWICK
 Municipal Address

 EDMONTON
 Builder

 Title
Plot Plan
 Your File:
 VES-06/06/2017