

LOWEST OPENING ELEVATION AT THE BUILDING 686.50

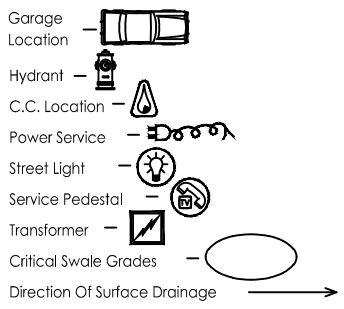
LOWEST BOTTOM OF FOOTING 683.45

CITY OF EDMONTON LANDSCAPING REQUIREMENTS (PER DWELLING):
1 DECIDUOUS TREE
1 CONIFEROUS TREE
4 SHRUBS

WING WALLS & OR RETAINING STRUCTURES MAY BE REQUIRED FOR DRAINAGE PURPOSES

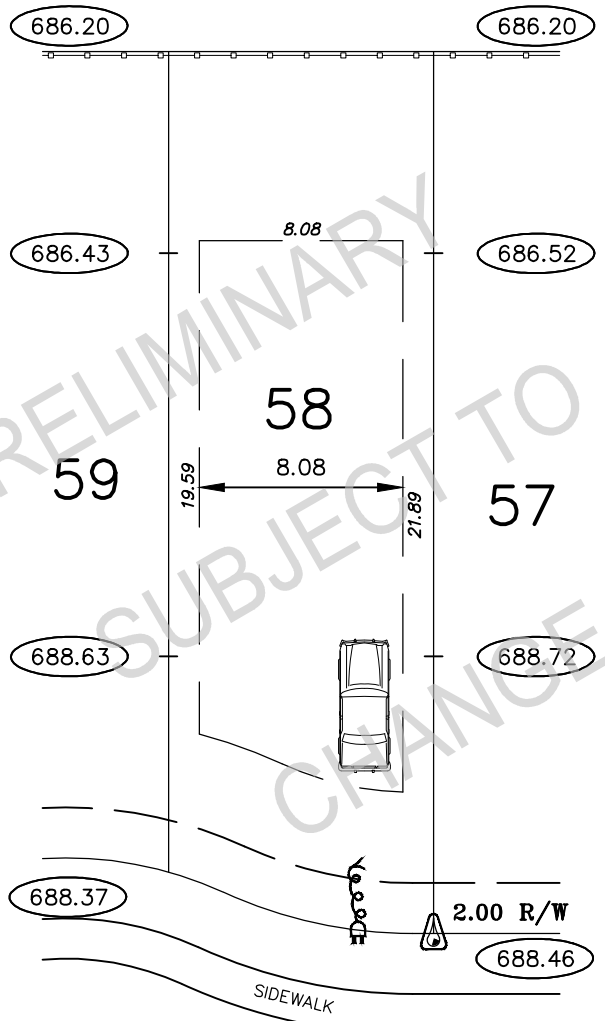
THIS PLAN IS TO BE USED AS A GUIDE ONLY. ALL MINIMUM SIDEYARD DISTANCES MUST BE VERIFIED BY STANTEC GEOMATICS.

DRAINAGE TYPE – STANDARD SPLIT WALKOUT BASEMENT



House Type _____
 Finished Floor _____
 Bottom Footing _____
 Finished Grade Front _____
 Finished Grade Back _____
 Bottom Back Door Sill _____
 Bottom Bsm't Window _____
 Top Conc. Bsm't Wall _____
 Finished Garage Floor _____
 Sanitary Sewer Invert 685.16
 JOIST _____ CONC.WALL _____ FOOTING _____

SCALE 1:300 GHLD



FRONT
LOT AREA = 359.67m²

Foundation Wall Height: ___' ___"

*It is the responsibility of the builder to contact the soils consultant to determine if there are any special considerations pertaining to house foundation construction.
 *The elevation of this house has been designed so that it will be in conformance with the lot grading plan.
 *This plan is subject to the approval of the local approving authority and the agent responsible for the architectural control guidelines.
 *Stantec Geomatics will accept no responsibility for any costs incurred due to an error or omission on this plan if construction starts prior to the subject approvals.
 *All dimensions and services shown must be confirmed by contractor prior to excavation.
 *All distances shown are in metres and decimals thereof.



Stantec Geomatics Ltd.
10160-112th Street NW
Edmonton, Alberta, Canada
T5K 2L6
Tel. 780-917-7000
Fax. 780-917-7289
www.stantec.com

Legal Description
LOT 58 BLOCK 4 PLAN UN-REG.
GRAYDON HILL
Municipal Address
EDMONTON
Builder
Title
Plot Plan
Your File:
VES-03/30/2017